

## GKN Series

---

### Safety Interlock Switch



#### DESCRIPTION

The MICRO SWITCH™ GKN Series safety interlock switches provide superior reliability in a compact, cost-effective package size. Six different types of actuator keys are available.

The GKN Series conforms to IEC 60947-5-1 and carries cULus, CE, and CCC approvals.

---

#### FEATURES

- Positive opening safety contacts
- Choice of six actuators
- Double insulated per IEC 60947-5-1
- Global approvals (cULus, CE, CCC)
- Three cable entries
- Large wiring cavity
- Large M20 cable entry
- Four-entry head

---

#### BENEFITS

- Meets global safety standards
- Wide application coverage
- No additional earthing requirements
- Final equipment may be sold worldwide
- Cable-to-switch orientation flexibility
- Wiring simplified
- No need to reconfigure head orientation

---

#### POTENTIAL APPLICATIONS

- Woodworking machinery
- Printing/paper finishing equipment
- Plastic molding equipment
- Packaging machinery
- Bailing and pumping equipment
- Semiconductor manufacturing equipment
- Packaging wrapping
- Specialty equipment



# GKN Series

## SPECIFICATIONS

Designation and Utilization Category		Rated Operational Current I <sub>e</sub> (A) at Rated Operational Voltage U <sub>e</sub> (V)			
		120 Vac	125 Vdc	240 Vac/250 Vdc	600 Vac
AC15	A600	6 A	–	3 A	1,2 A
DC13	Q300	–	0,55 A	0,27A	—
Rated thermal current (I <sub>th</sub> )		10 A			
Sealing		IP67; NEMA 1, 4, 12, 13			
Rated impulse withstand (U <sub>imp</sub> )		2500 V			
Pollution degree		2 (micro-environment, inside enclosure); 3 (macro-environment, installation environment)			
Rated insulation voltage (U <sub>i</sub> )		600 V			
Operating temperature range		-25 °C to 70 °C [-13 °F to 158 °F]			
Storage temperature range		-40 °C to 85 °C [-40 °F to 185 °F]			
Short-circuit protective device (type/maximum rating)		Class J fuse (10 A/690 V)			
Expected mechanical life		500,000 cycles			
Conditional short-circuit current		1000 A			

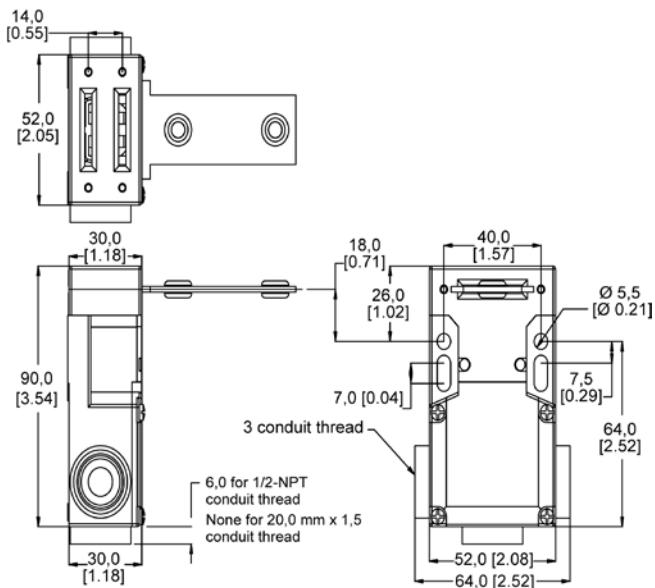
Complies with:

Low Voltage Directive 73/23/EEC, as amended by directive 93/68/EEC.

Machinery Directive 98/37/EEC only as the directives relate to the components being used in a safety function.

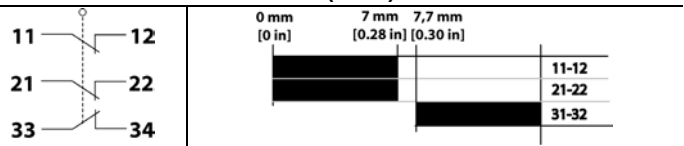
IEC/EN60947-5-1.

## MOUNTING DIMENSIONS

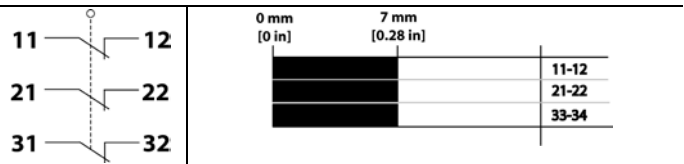


## CIRCUIT AND TRAVEL DIAGRAMS

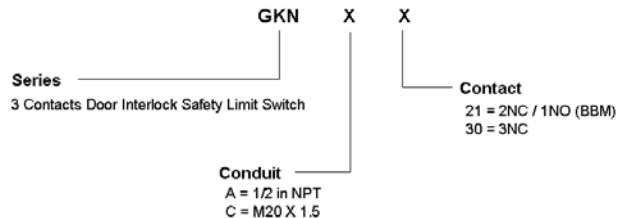
### Switch Code 21 – 2NC/1NO (BBM)



### Switch Code 30 – 3NC



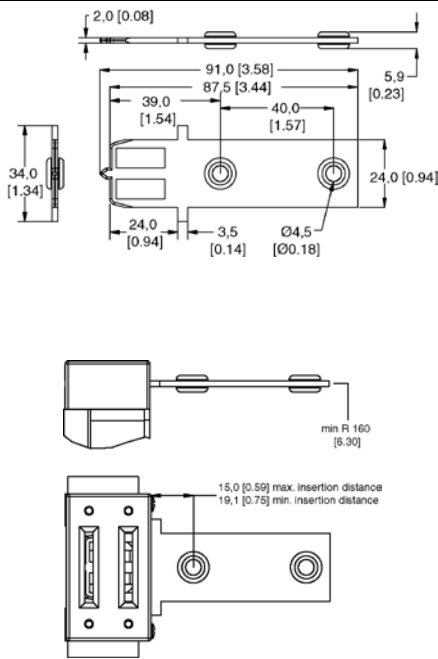
## ORDER GUIDE



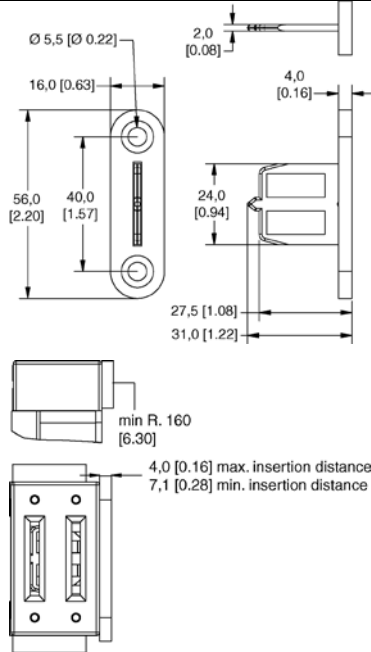
# Safety Interlock Switch

## KEY DIMENSIONS

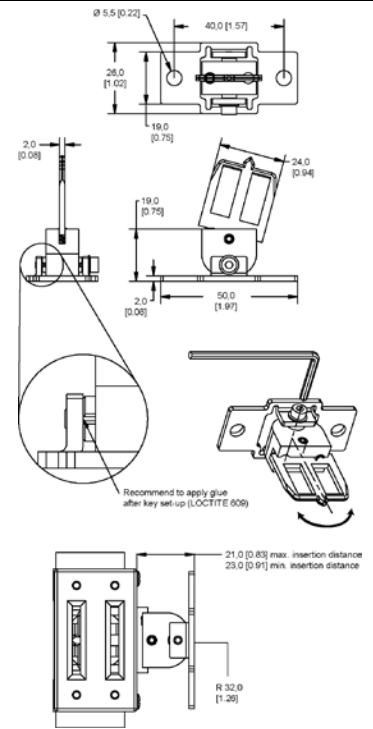
**GKZ41 (M4 Screw)**



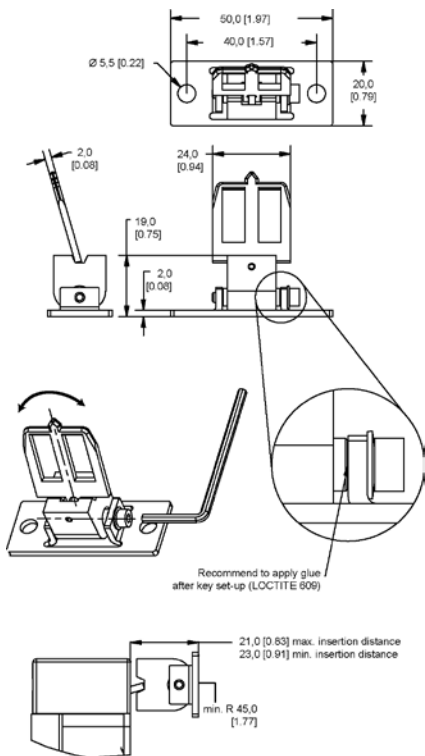
**GKZ42 (M5 Screw)**



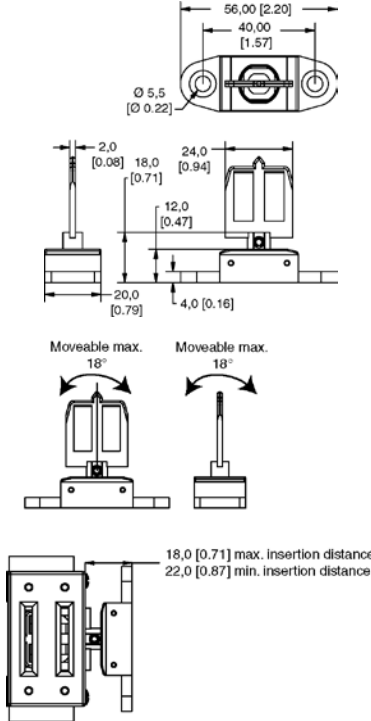
**GKZ43 (M5 Screw)**



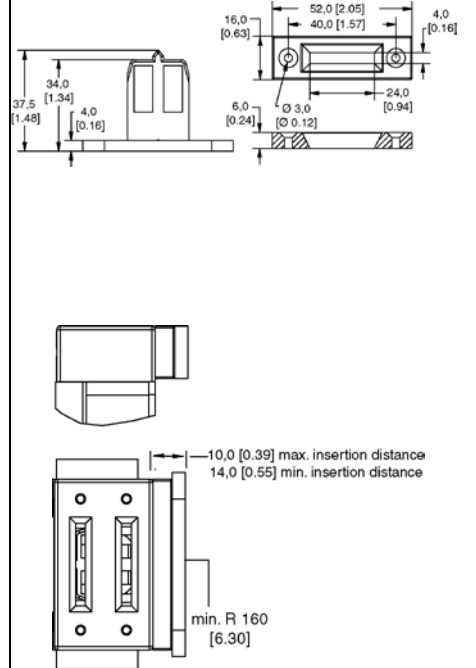
**GKZ44 (M5 Screw)**



**GKZ45 (M5 Screw)**



**GKZF1 (M5 Screw)**



## ORDER GUIDE (ACTIVE LISTINGS)

Catalog Listing	Description
GKNA21	3 contact door interlock safety limit switch; 1/2 in NPT conduit; 2NC/1NO (BBM)
GKNA30	3 contact door interlock safety limit switch; 1/2 in NPT conduit; 3NC
GKNC21	3 contact door interlock safety limit switch; M20 x 1.5 conduit; 2NC/1NO (BBM)
GKNC30	3 contact door interlock safety limit switch; M20 x 1.5 conduit; 3NC

### **WARNING**

#### **PERSONAL INJURY**

DO NOT USE these products as safety or emergency stop devices or in any other application where failure of the product could result in personal injury.

**Failure to comply with these instructions could result in death or serious injury.**

#### **WARRANTY/REMEDY**

Honeywell warrants goods of its manufacture as being free of defective materials and faulty workmanship. Honeywell's standard product warranty applies unless agreed to otherwise by Honeywell in writing; please refer to your order acknowledgement or consult your local sales office for specific warranty details. If warranted goods are returned to Honeywell during the period of coverage, Honeywell will repair or replace, at its option, without charge those items it finds defective. **The foregoing is buyer's sole remedy and is in lieu of all other warranties, expressed or implied, including those of merchantability and fitness for a particular purpose. In no event shall Honeywell be liable for consequential, special, or indirect damages.**

While we provide application assistance personally, through our literature and the Honeywell web site, it is up to the customer to determine the suitability of the product in the application.

Specifications may change without notice. The information we supply is believed to be accurate and reliable as of this printing. However, we assume no responsibility for its use.

## ORDER GUIDE (ACTIVE LISTINGS)

Catalog Listing	Description
GKZ41	Straight key
GKZ42	90° key
GKZ43	Left-right adjustable key
GKZ44	Up-down adjustable key
GKZ45	Multidirectional key
GKZF1	Funnel key

### **WARNING**

#### **MISUSE OF DOCUMENTATION**

- The information presented in this product sheet is for reference only. Do not use this document as a product installation guide.
- Complete installation, operation, and maintenance information is provided in the instructions supplied with each product.

**Failure to comply with these instructions could result in death or serious injury.**

# Honeywell



Elblinger Elektronik GmbH  
Lange Wanne 25  
38259 Salzgitter

Telefon 05341/8212-1  
Fax 05341/821299

e-mail mail@elblinger-elektronik.de  
Internet www.elblinger-elektronik.de