

# TL-2450

Size: 1/10C

> XOL – extended operating life

### Performance Data

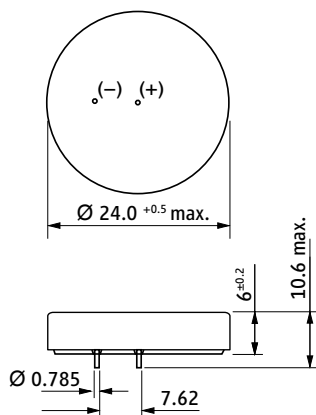
(Typical values for batteries stored at +25 °C for one year)

System	Lithium Thionyl Chloride
Nominal voltage	3.6 V
Nominal capacity	0.55 Ah
Nominal current	0.5 mA
Max. continuous discharge current	5 mA
Pulse current capability	10 mA
Anode surface area	4.3 cm <sup>2</sup>
Lithium content	0.2 g
Weight	8.8 g
Volume	2.6 cm <sup>3</sup>
Temperature range	-55 °C ... +85 °C

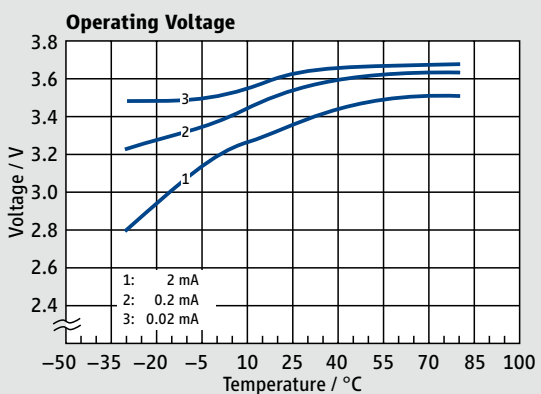
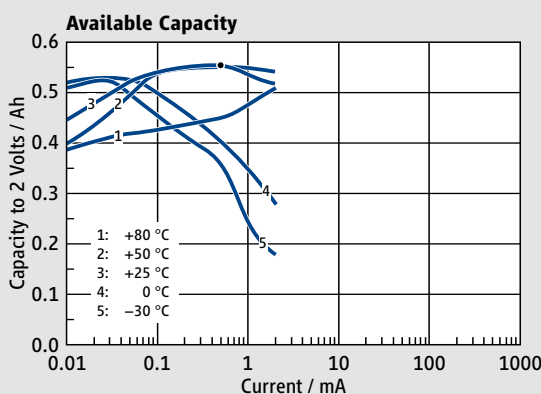
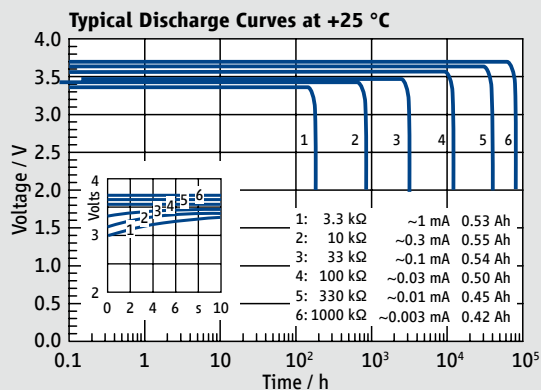
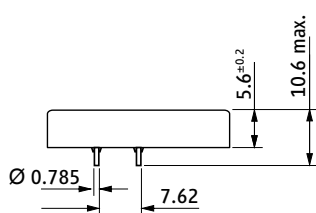


A high temperature version TLH-2450 is also available. For more information please refer to Tadiran's website.

### TL-2450 (with insolation disc)



### TL-2450 (without insolation disc)



**WARNING:** Fire, explosion, and severe burn hazard. Do not recharge, disassemble, heat above 100 °C, incinerate, or expose contents to water.

Available Terminations	Catalogue No.
TL-2450/P Pins (with insolation disc)	11 1 13763 02
TL-2450/P Pins (without insolation disc)	11 1 13763 22