

# Basic Switches

## Double-pole Double-throw

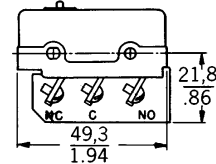


### FEATURES

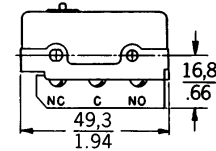
- Two independent single-pole double-throw circuits on one housing
- Design permitting several wiring combinations
- Savings in space and weight
- Mounting interchangeability with type Z switches
- Temperature tolerance to +180°F (82°C)
- UL recognized, CSA certified

### AVAILABLE TERMINALS

**B6**  
6-32 UNC x .188"  
(No. 5 pan head screws)



**A7**  
4-40 UNC x .125"  
Screws with lockwashers.  
Fiberglass insulator isolates terminals and prevents accidental shorting.



### ELECTRICAL RATING

Circuitry	Electrical Data and UL Codes
Double-pole double-throw 	<b>J</b> 10 amps, 125 or 250 vac; 0.3 amp, 125 vdc; 0.15 amp, 250 vdc. UL Code L59

**Characteristics:** O.F. — Operating Force; R.F. — Release Force; P.T. — Pretravel; O.T. — Overtravel; D.T. — Differential Travel; O.P. — Operating Position.

### DOUBLE-POLE DOUBLE THROW



Dim. Dwg. Fig. 1

### ORDER GUIDE

Catalog Listing	Description	Electrical Data and UL Code	O.F. max. newtons ounces	R.F. min. newtons ounces	P.T. max. mm inches	O.T. mm inches	D.T. max. min. mm inches	O.P.* mm inches
<b>DT-2R-A7</b> <b>MS25008-1</b>	Pin plunger	10 Amps <b>J</b>	3,34-5,56 <b>12-20</b>	0,56 <b>2</b>	1,91 <b>.075</b>	0,13 <b>.005</b>	1,02-1,52 <b>.040-.060</b>	15,6 <b>.615±.015</b>



Dim. Dwg. Fig. 9

<b>DT-2RS1-A7</b>	Straight plunger	10 Amps <b>J</b>	3,34-5,56 <b>12-20</b>	0,28 <b>1</b>	1,91 <b>.075</b>	0,51 <b>.020</b>	1,02-1,52 <b>.040-.060</b>	28,2±0,38 <b>1.11±.015</b>
-------------------	------------------	---------------------	---------------------------	------------------	---------------------	---------------------	-------------------------------	-------------------------------



Dim. Dwg. Fig. 3

<b>DT-2RV3-A7</b>	Straight lever Reversed lever position	10 Amps <b>J</b>	1,11-1,95 <b>4-7</b>	0,14 <b>0.5</b>	6,86 <b>.270</b>	0,25 <b>.010</b>	2,92-4,83 <b>.115-.190</b>	18,3 <b>.719</b>
-------------------	--	---------------------	-------------------------	--------------------	---------------------	---------------------	-------------------------------	---------------------



Dim. Dwg. Fig. 2

<b>DT-2RV-A7</b>	Straight lever	10 Amps <b>J</b>	0,97-1,67 <b>3.5-6</b>	0,28 <b>1</b>	25,4 <b>1</b>	1,57 <b>.062</b>	12,4-19,2 <b>.490-.755</b>	21,8 <b>.859</b>
------------------	----------------	---------------------	---------------------------	------------------	------------------	---------------------	-------------------------------	---------------------

Except where stated \* ±0.76 mm ±.030 in.



**Distributor:**  
Elblinger Elektronik GmbH  
Lange Wanne 25  
38259 Salzgitter

Telefon: 05341 / 8212-1  
Fax: 05341 / 8212-99

e-mail: mail@elblinger-elektronik.de  
Internet: www.elblinger-elektronik.de

# Basic Switches

## Double-pole Double-throw

### ORDER GUIDE



Dim. Dwg. Fig. 8

Catalog Listing	Recommended For	Electrical Data and UL Codes	O.F. max. newtons ounces	R.F. min. newtons ounces	P.T. max. mm inches	O.T. min. mm inches	D.T. max. mm inches	O.P.* mm inches
DT-2RV216-A7	Roller lever (centered steel roller)	10 Amps J	11,1 2.5 lbs.	1,11 4	1,02 .040	0,13 .005	0,51-0,76 .020-.030	31 1.219



Dim. Dwg. Fig. 5

DT-2RV22-A7	1.03 inch (26,2mm) roller lever (steel roller)	10 Amps J	2,5-4,17 9-14	0,83 3	-	0,79 .031	4,95-7,75 .195-.305	30,2±0,38 1.188±.015
-------------	--	--------------	------------------	-----------	---	--------------	------------------------	-------------------------



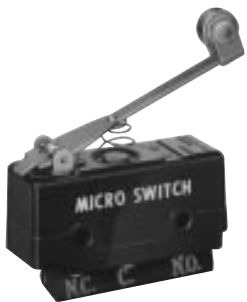
Dim. Dwg. Fig. 7

DT-2RV212-A7	Roller lever Reversed lever position	10 Amps J	2,5-4,17 9-15	0,42 1.5	3,3 .130	0,13 .005	1,27-2,16 .050-.085	29,4 1.156
--------------	--------------------------------------	--------------	------------------	-------------	-------------	--------------	------------------------	---------------



Dim. Dwg. Fig. 6

DT-2RV23-A7	Roller lever Reversed lever position	10 Amps J	1,53-2,64 5.5-9.5	0,21 .75	4,45 .175	0,25 .010	2,16-3,43 .085-.135	29,4 1.156
-------------	--------------------------------------	--------------	----------------------	-------------	--------------	--------------	------------------------	---------------



Dim. Dwg. Fig. 4

DT-2RV2-A7	1.90 inch (48,3 mm) roller lever (steel roller)	10 Amps J	1,25-2,09 4.5-7.5	0,42 1.5	— —	1,19 .047	9,27-14,4 .365-.565	31,8 1.250
------------	---	--------------	----------------------	-------------	--------	--------------	------------------------	---------------

Except where stated \* ±0,76 mm ±.030 in.

Auxiliary actuators see page 68-69.

Standard Basic Switches

# Basic Switches

DT Series

## Double-pole Double-throw

MOUNTING DIMENSIONS (For reference only)

### PIN PLUNGER

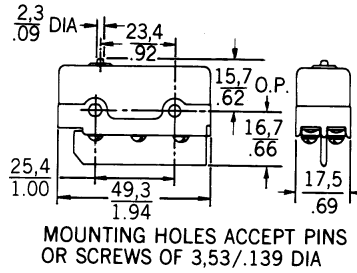


Fig. 1

### STRAIGHT LEVER

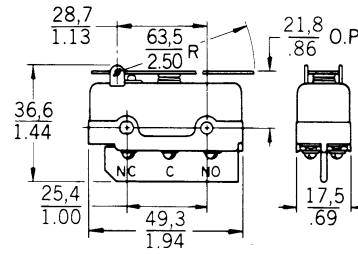


Fig. 2

### STRAIGHT LEVER

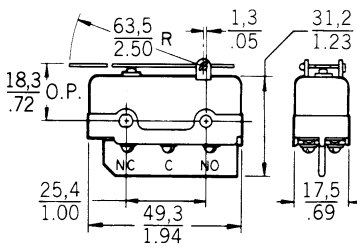


Fig. 3

### ROLLER LEVER

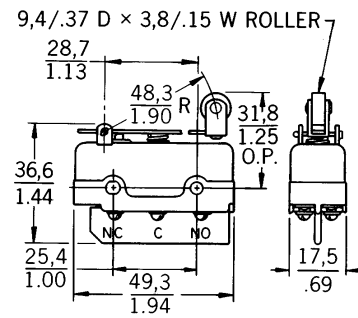


Fig. 4

Key:  $\frac{0,0}{0.00} = \frac{\text{mm}}{\text{inches}}$

# Basic Switches

## Double-pole Double-throw

DT Series

MOUNTING DIMENSIONS (For reference only)

### ROLLER LEVER

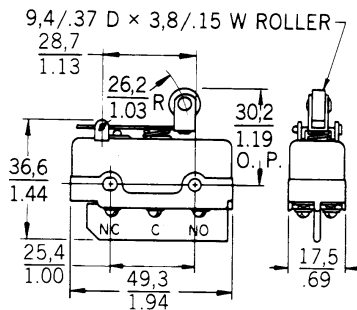


Fig. 5

### ROLLER LEVER

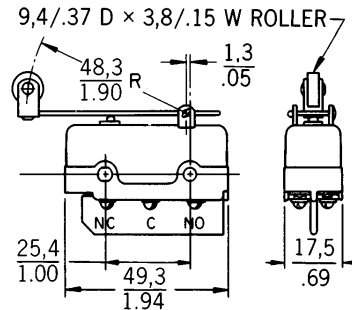


Fig. 6

### ROLLER LEVER

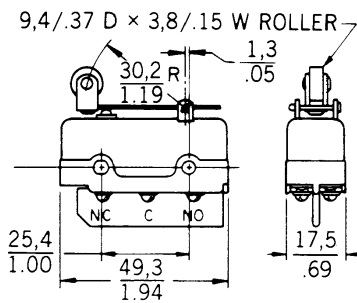


Fig. 7

### ROLLER LEVER

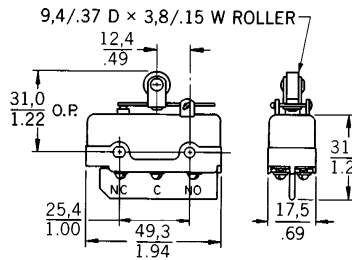


Fig. 8

### STRAIGHT PLUNGER

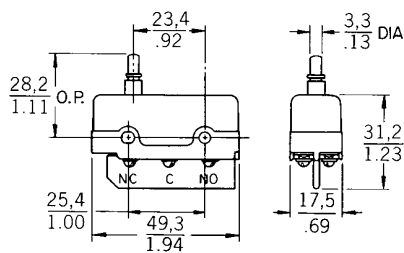


Fig. 9

Standard  
Basic Switches



#### Dystrybutor:

Elblinger Elektronik Sp. z o.o.  
ul. Kwiatowa 25  
60-185 Skórzewo k. Poznań

Telefon: 061 / 894 69 90  
Fax: 061 / 894 69 99

E-mail: mail@elblinger-elektronik.pl  
Internet: www.elblinger-elektronik.pl