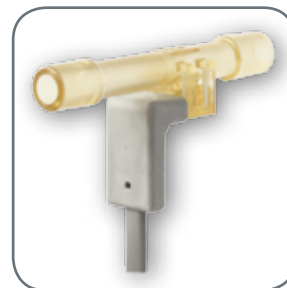




## Miniature Low Pressure Flow-Through Sensors **26PC Series, Compensated/Unamplified** **1 psi to 100 psi**



Elblinger Elektronik GmbH  
Lange Wanne 25  
38259 Salzgitter

Telefon 05341/8212-1  
Fax 05341/821299

e-mail [mail@elblinger-elektronik.de](mailto:mail@elblinger-elektronik.de)  
Internet [www.elblinger-elektronik.de](http://www.elblinger-elektronik.de)





# Potential Applications



## MEDICAL

### HEMODIALYSIS

May be used to monitor the correct pressure to help ensure optimal blood filtration

**Table 1. Absolute Maximum Ratings<sup>1</sup>**

| Characteristic    | Min. | Typ. | Max. | Unit | Note |
|-------------------|------|------|------|------|------|
| Supply voltage    | 2.5  | 10   | 16   | Vdc  | –    |
| Input resistance  | 5.5  | 7.5  | 11.5 | kOhm | –    |
| Output resistance | 1.5  | 2.5  | 3    | kOhm | –    |
| Time response     | –    | –    | 1    | ms   | 2    |

<sup>1</sup>Absolute maximum ratings are the extreme limits the device will withstand without damage.

<sup>2</sup>Time required for the output to increase from 10% to 90% of span in response to a step change in input pressure from the specified min. to max. operating pressure.

**Table 2. Technical Specifications**

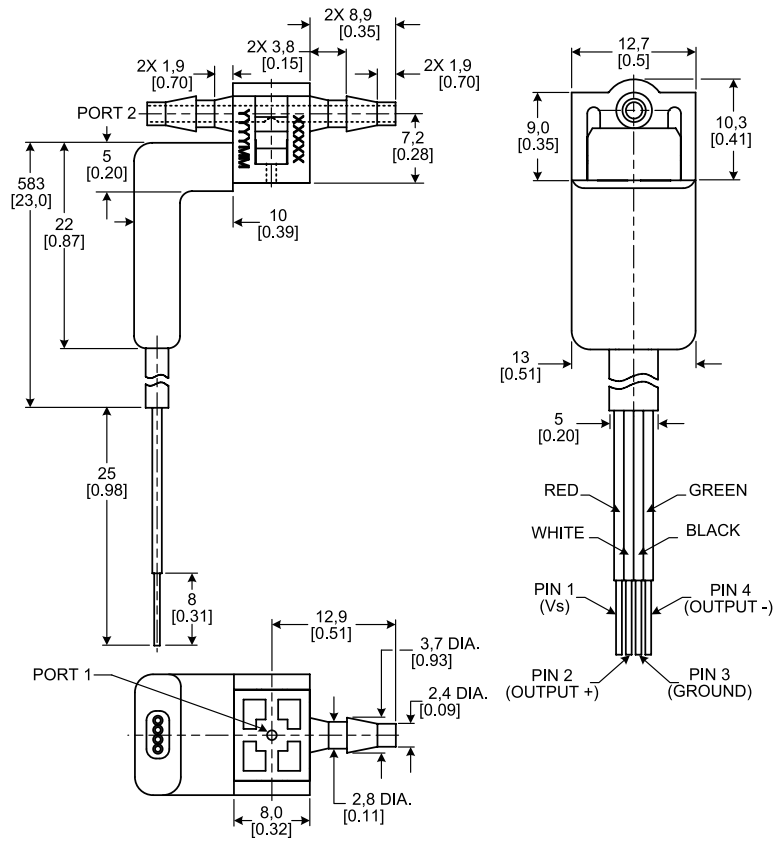
| Characteristic  | Parameter   |
|---|---|
| Operating temperature range:<br>without EPDM seals<br>with EPDM seals | -40 °C to 85 °C [-40 °F to 185 °F]<br>-20 °C to 85 °C [-4 °F to 185 °F] |
| Compensated temperature range   | 0 °C to 50 °C [32 °F to 122 °F]   |
| Storage temperature range   | 55 °C to 100 °C [-67 °F to 212 °F]                                      |
| Soldering terminal temperature/time                                   | 315 °C [599 °F] max./10 s max.  |
| Vibration   | 10 G at 20 Hz to 2000 Hz  |
| Shock   | 100 G for 11 ms   |
| Life  | 1 million cycles min.   |





Figure 4. Pressure Port Types and Termination Configuration Dimensions (For reference only: mm)

26PCXXG5G



26PCXXG6G

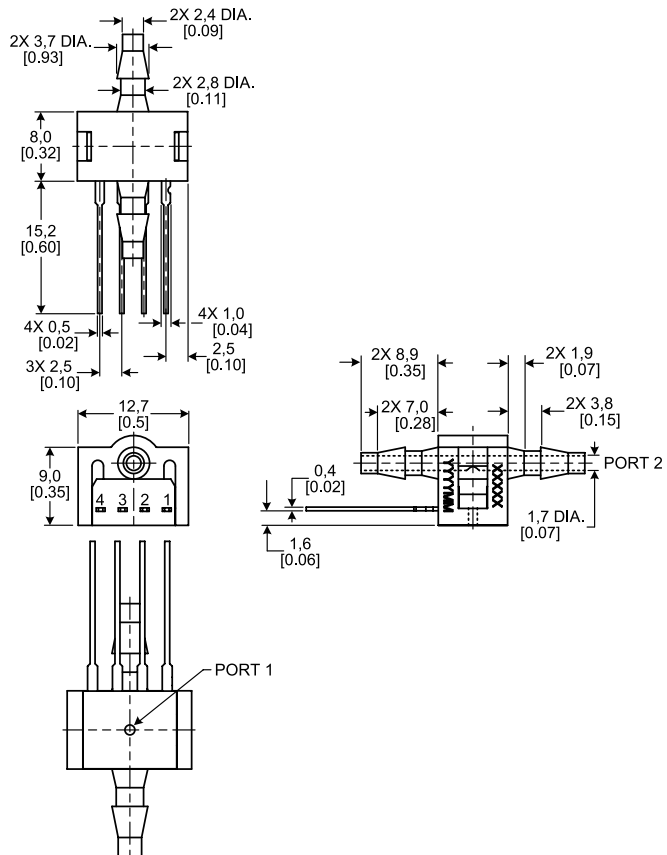
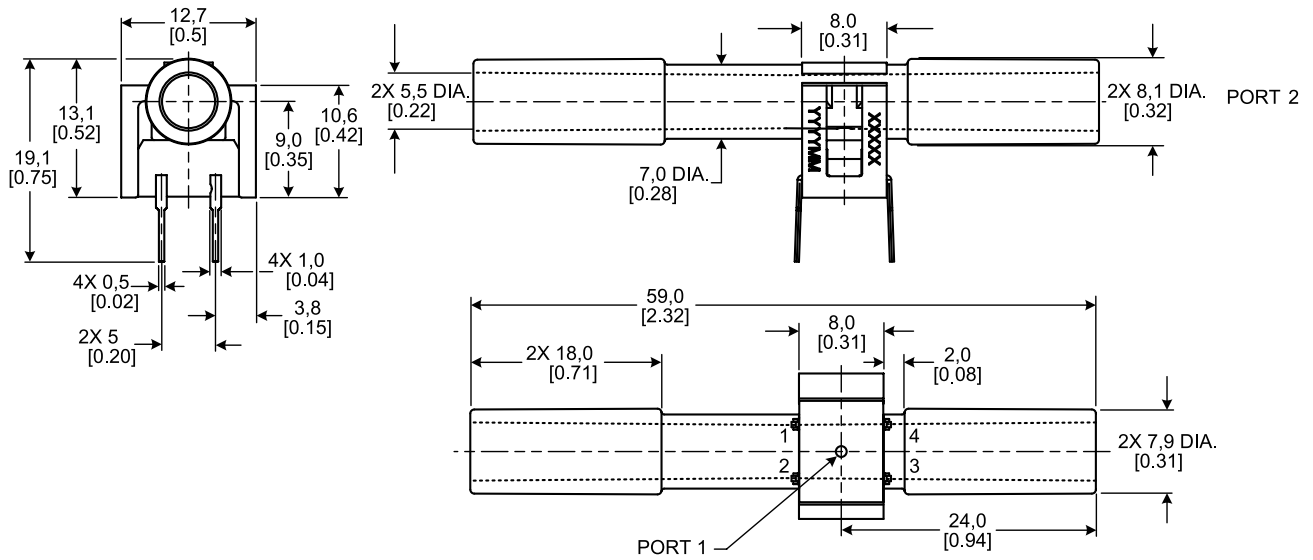


Figure 4. Pressure Port Types and Termination Configuration Dimensions (continued)

26PCXXP2G



26PCXXP5G

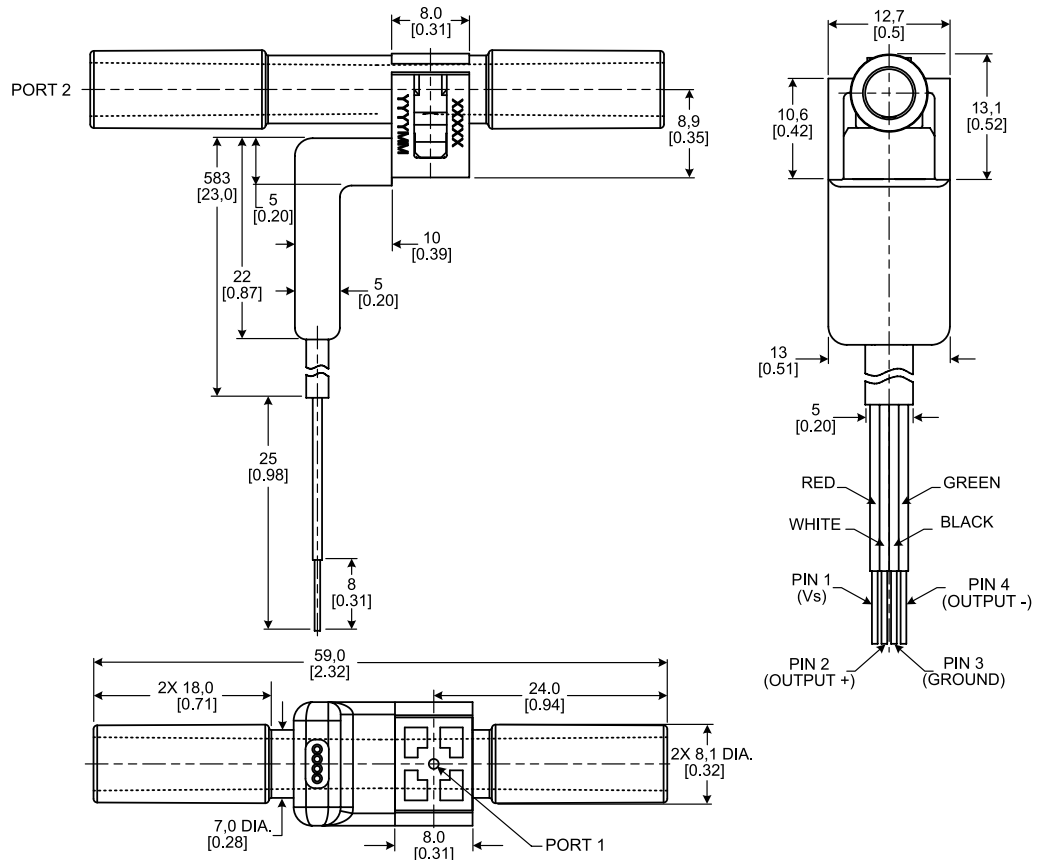




Figure 4. Pressure Port Types and Termination Configuration Dimensions (continued)

26PCXXU5G

